

DH-PFM900-E

Integrated Mount Tester



DH-PFM900-E is an integrated mount tester that supports network camera and analog camera tests. The newly developed SD–HD direct mode switch greatly improves the operation convenience. Functions such as cable and network tests make the tester adaptive to more complex debugging scenarios. The powerful compatibility of DH-PFM900-E meets most of current security needs.

Features

- 4.0" TFT screen, 800 × 480 resolution
- H.264/H.265 decoding display for IPC
- HDCVI/AHD/TVI/CVBS video display control
- Support SD and HD direct switch
- 12V/2A DC power supply for the camera
- Support RS–485 control, and audio test
- Length and attenuation tests of the network cable
- Functions of digital multimeter

Technical Specification

System

Operation System	Linux
Language	Multi-language interface: English, Chinese, Spanish, French, German, Turkish, Russian, Czech, Serbian, Portuguese, Polish, Romanian, Hebrew, Japanese, and Persian
Operation Mode	Button and keyboard
Auto Standby/Shutdown	Yes
Keyboard Sound	Enable/Disable
Screen	4.0" TFT screen, 800 × 480 resolution
Keyboard	Controlling keyboard: 13 keys of the main keyboard, and 45 keys of the flip keyboard Others: Power button, reset button
LED Indicator Light	2 * 35lm lights
Update	Online and local update

IPC Test

Camera Access	ONVIF
Resolution	1MP, 1.3MP, 2MP, 3MP, 4MP, 5MP, 6MP, 8MP, and 12MP
Camera Initialization	Yes
Video Display	Live view, snapshots, records, digital zoom, and H.264/H.265 decoding
Function Control	Support IPC modifications such as resolution, IP, and account password, and restoring IPC to factory settings

Analog Video Test

Format	HDCVI, HDTVI, AHD, and CVBS (NTSC, PAL)
Resolution	HDCVI: 2MP@25 fps/30 fps, 4MP@25 fps/30 fps, 5MP@20 fps, 6MP@20 fps, 4K@12.5 fps/15 fps HDTVI: 2MP@25 fps/30 fps, 4MP@25 fps/30 fps, 5MP@20 fps AHD: 2MP@25 fps/30 fps, 4MP@25 fps/30 fps CVBS: NTSC, PAL
Function Control	OSD menu display and PTZ control
Video Display	Live view, snapshots, records, and digital zoom
Video Signal Generator	Generate PAL and NTSC video test signals Generate HDCVI, HDTVI, and AHD video test signals with 720/1080P

RS-485 Control

Communication Protocol	More than 30 protocols such as Pelco-D/P, Samsung, Panasonic, Lilin, and Yaan
Baud Rate	150 bps, 300 bps, 600 bps, 1200 bps, 2400 bps, 4800 bps, 9600 bps, and 19200 bps

Protection

ESD	Air discharge: ±8KV Contact discharge: ±6KV
-----	--

Others

Audio Test	1 channel audio input test and 1 channel audio output test
Camera Power Supply	12V/2A DC power output to the camera
Network Test	IP address scanning, and Ping test
Voltage Test	Display voltage, data transmission, and signal strength of PoE/PSE device
Data Monitor	Receive and display protocol data with a RS-485 cable
Network Cable Test	Test the length and attenuation of a network cable Test range: 1–130 m (3.28–426.51 ft) (The maximum length varies depending on the material of the cable)
Digital Multimeter	Tests of AC/DC voltage, AC/DC current, resistance, capacitance, diode, and circuit conductivity

Certifications

Certifications	CE: EN 55032 FCC: FCC Part 15 Subpart B
----------------	--

Port

Power	1 standard PoE charging, IEEE802.3af 1 power output , 12V/1A DC
Audio	1 audio input 1 audio output
USB	1 USB Mini-B
Ethernet	2 RJ45 10M/100M/1G
RS-485	1
Digital Multimeter Port	3

Power

Charging	PoE 48V-0.32A
Battery	Dedicate battery, replaceable, 7.4V polymer lithium ion batteries, up to 22.2Wh, working for about 8 hours

Environment

Operating Temperature	-10°C to +55°C (+14°F to +131°F)
Operating Humidity	30%–95% (RH)

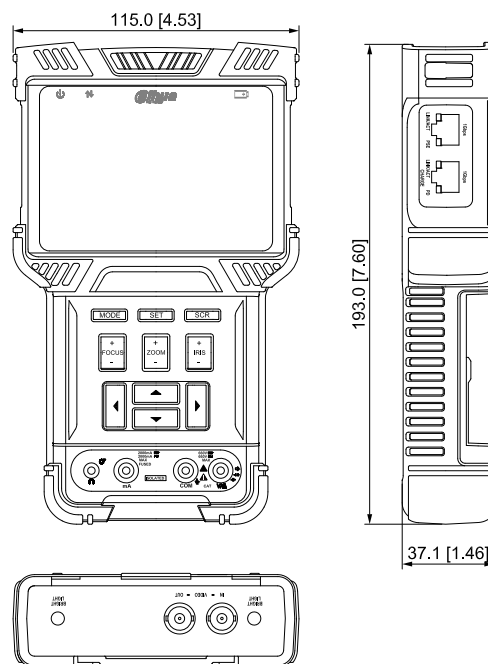
Structure

Appearance Color	Yellow
Dimensions	190.0 × 116.0 × 37.0 mm (7.48" × 4.57" × 1.46")
Net Weight	0.54 kg (1.19 lb)
Gross Weight	1.40 kg (3.09 lb)

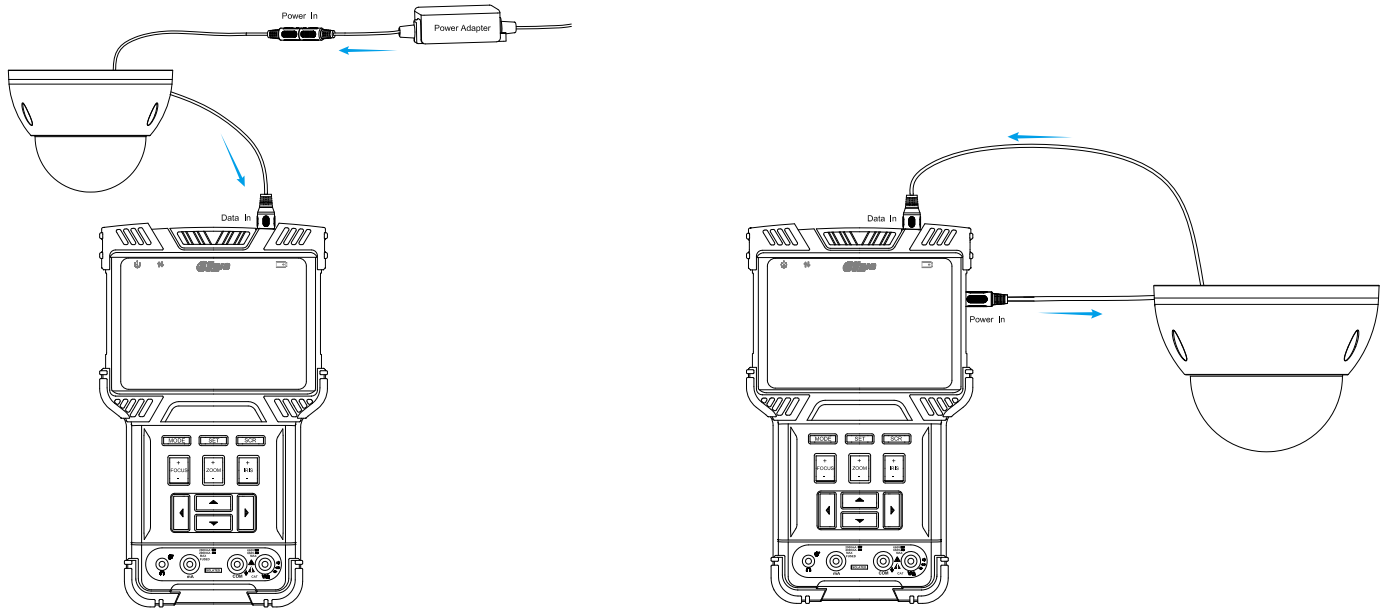
Ordering Information

Type	Part Number	Description
Tool Series	DH-PFM900-E	Integrated mount tester
	PFM900-E	Integrated mount tester

Dimensions (mm/inch)



Application



Package Information

- 305m UTP CAT6 cable *1
- Integrated Mount Tester *1
- Lanyard of the Tester *1
- Tool Bag *1
- Lanyard of the Tool Bag *1
- User Manual *1
- Network Cable *1
- Coaxial Cable *1
- USB Cable *1
- RS-485 Cable *1
- RS-485 Terminal *1
- Power Output Cord *1
- Audio Cable *1
- Multimeter Probes *1
- PoE Power Injector *1
- Charging Cord *1