

Count	Description
-------	-------------

1 RSI 3x380-440V IP66 11kW 23A



Product photo could vary from the actual product

Product No.: [99044363](#)

Renewable Solar Inverter RSI is a sourced off-grid solar inverter to enable us to expand the family of solar submersible pumping systems. RSI is configured specifically to be compatible with 3 phase 400V SP submersible pumps. With the built-in MPPT and various protection software, it delivers an efficient and reliable renewable system solution.

Technical:

Approvals and markings: CE

Installation:

Range of ambient temperature: -10 .. 60 °C

Relative humidity: 100 %

Electrical data:

Rated power - P2: 11 kW

Main frequency: 50 / 60 Hz

Rated voltage: 3 x 380 - 440 V

Enclosure class (IEC 34-5): IP66

Rated voltage output AC: 380 V

Voltage input DC: 800 V

Rated current output AC: 23 A

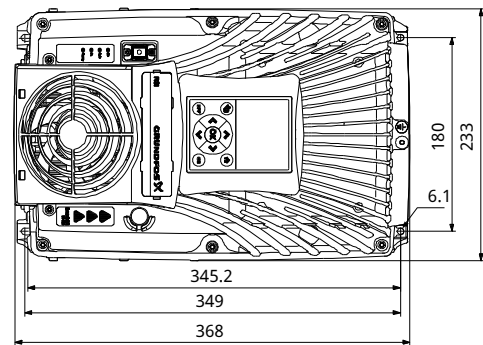
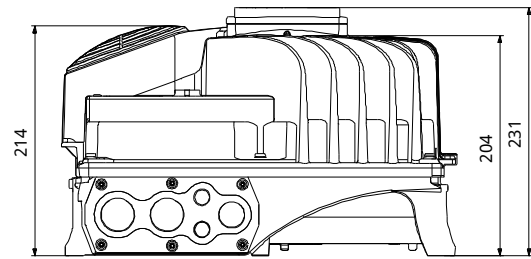
Udc: 400 V

Others:

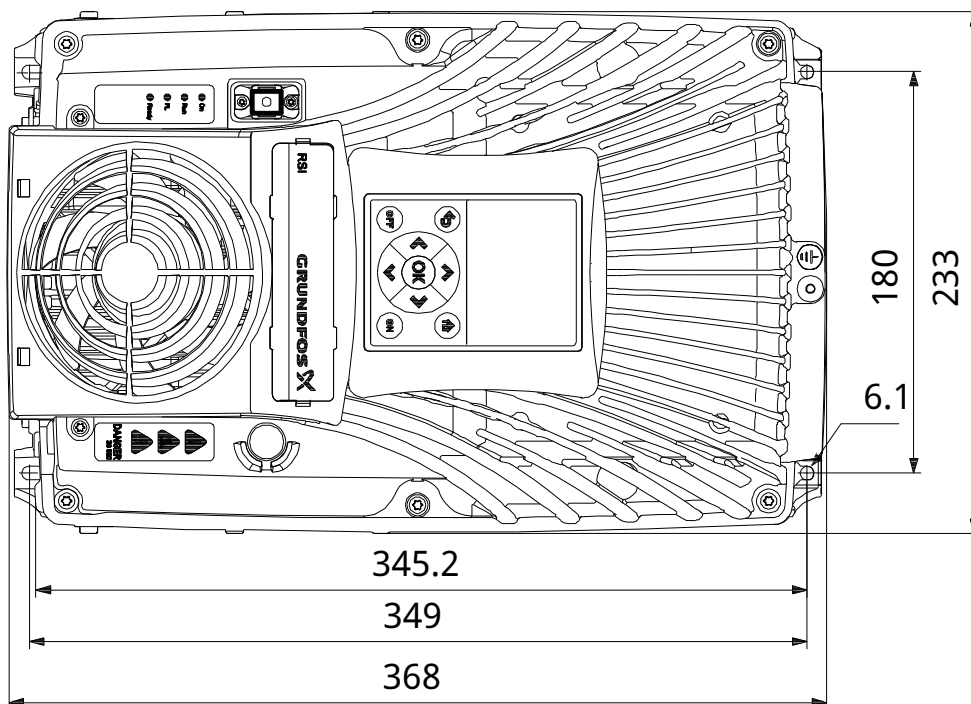
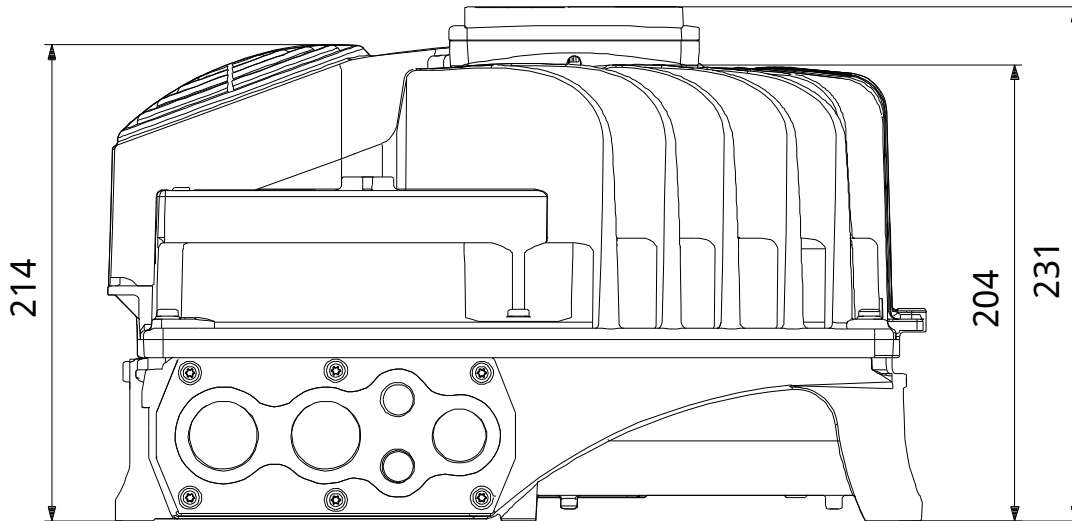
Net weight: 14.9 kg

Gross weight: 16.3 kg

Description	Value
General information:	
Product name:	RSI 3x380-440V IP66 11kW 23A
Product No.:	99044363
EAN:	5712605678687
	5712605678687
Technical:	
Approvals and markings:	CE
Installation:	
Range of ambient temperature:	-10 .. 60 °C
Relative humidity:	100 %
Electrical data:	
Rated power - P2:	11 kW
Main frequency:	50 / 60 Hz
Rated voltage:	3 x 380 - 440 V
Enclosure class (IEC 34-5):	IP66
Rated voltage output AC:	380 V
Voltage input DC:	800 V
Rated current output AC:	23 A
Udc:	400 V
Others:	
Net weight:	14.9 kg
Gross weight:	16.3 kg



99044363 RSI 3x380-440V IP66 11kW 23A



Note! All units are in [mm] unless otherwise stated.
Disclaimer: This simplified dimensional drawing does not show all details.



Company name: Gadgetronix.Net
Created by: Swaleh Hassan
Phone: +255 677 007 111
Email: energy@gadgetronix.net
Date: 5/1/2020

Order Data:

Product name: RSI 3x380-440V IP66 11kW 23A
Amount: 1
Product No.: 99044363

Total: Price on request
