

Count	Description
-------	-------------

1 RSI 3x380-440V IP66 15kW 31A



Product photo could vary from the actual product

Product No.: On request

Renewable Solar Inverter RSI is a sourced off-grid solar inverter to enable us to expand the family of solar submersible pumping systems. RSI is configured specifically to be compatible with 3 phase 400V SP submersible pumps. With the built-in MPPT and various protection software, it delivers an efficient and reliable renewable system solution.

**Technical:**

Approvals and markings: CE

**Installation:**

Range of ambient temperature: -10 .. 60 °C

Relative humidity: 100 %

**Electrical data:**

Rated power - P2: 15 kW

Main frequency: 50 / 60 Hz

Rated voltage: 3 x 380 - 440 V

Enclosure class (IEC 34-5): IP66

Rated voltage output AC: 380 V

Voltage input DC: 800 V

Rated current output AC: 31 A

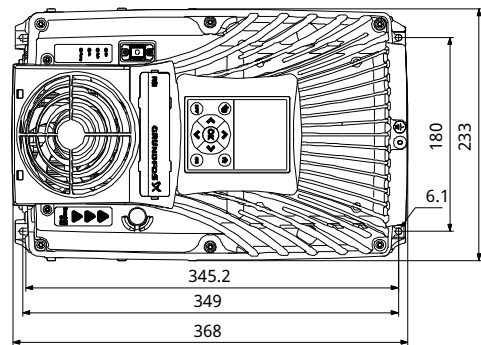
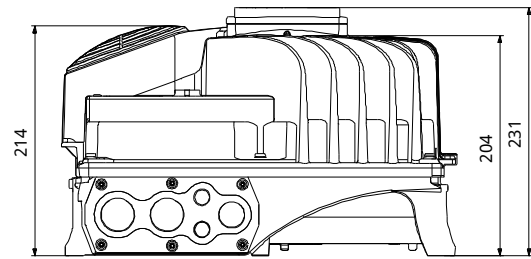
Udc: 400 V

**Others:**

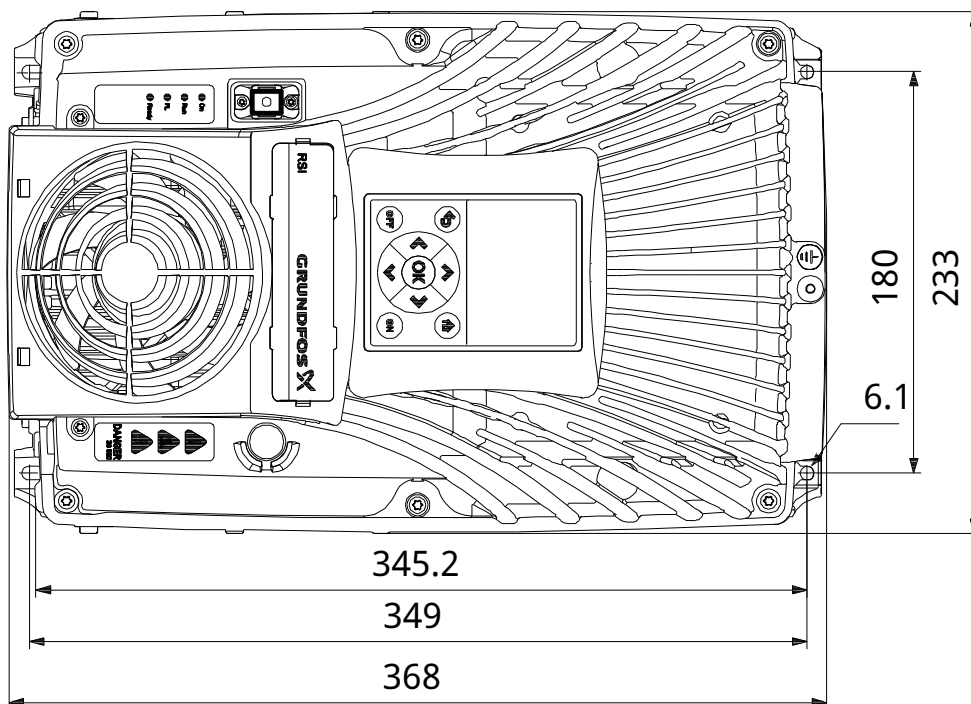
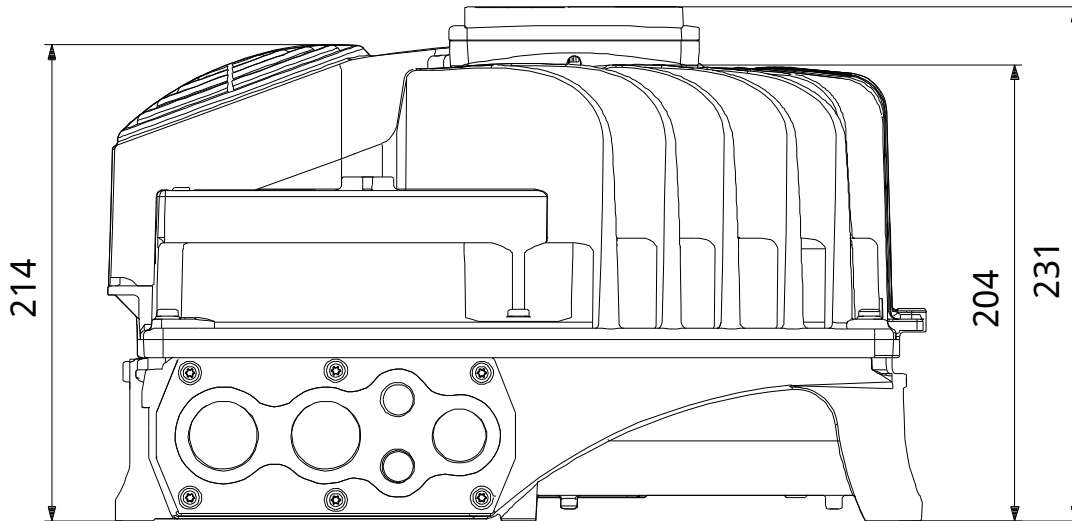
Net weight: 14.9 kg

Gross weight: 16.3 kg

Description	Value
<b>General information:</b>	
Product name:	RSI 3x380-440V IP66 15kW 31A
Product No.:	On request
EAN:	On request
	On request
<b>Technical:</b>	
Approvals and markings:	CE
<b>Installation:</b>	
Range of ambient temperature:	-10 .. 60 °C
Relative humidity:	100 %
<b>Electrical data:</b>	
Rated power - P2:	15 kW
Main frequency:	50 / 60 Hz
Rated voltage:	3 x 380 - 440 V
Enclosure class (IEC 34-5):	IP66
Rated voltage output AC:	380 V
Voltage input DC:	800 V
Rated current output AC:	31 A
Udc:	400 V
<b>Others:</b>	
Net weight:	14.9 kg
Gross weight:	16.3 kg



On request RSI 3x380-440V IP66 15kW 31A



Note! All units are in [mm] unless otherwise stated.  
Disclaimer: This simplified dimensional drawing does not show all details.